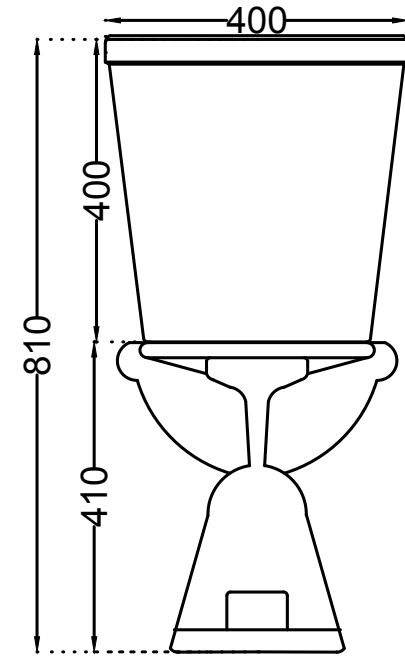
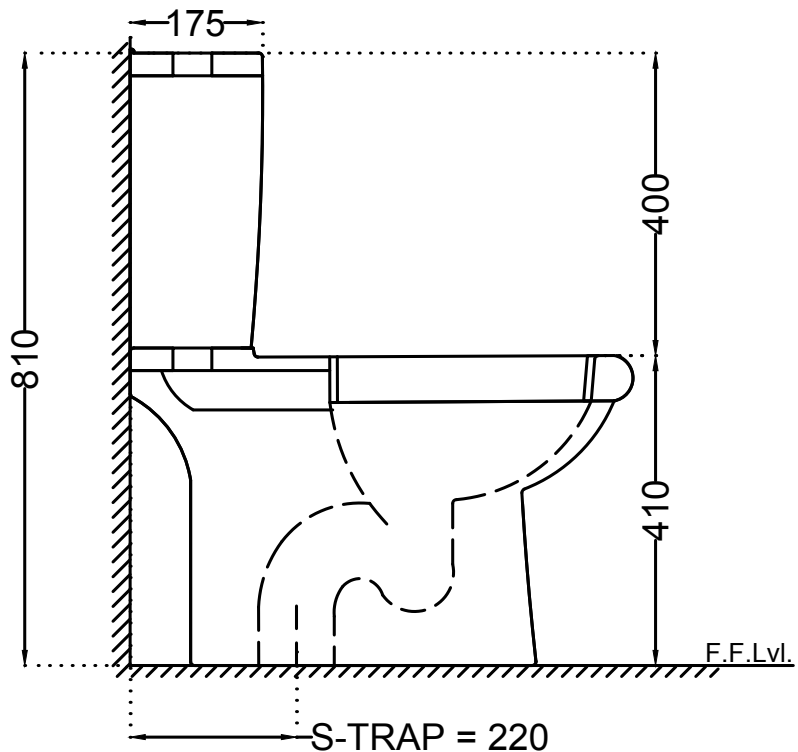



TOP VIEW



BACK VIEW



SIDE VIEW

| | | | | |
|---------------------------------------------------------------------------------------|------------------------------------------------------------------------------------------------------------------------------------------------------------------------------------------------------------------------------------------------------------------------------------|--------------------------|-----------|----------------------------------------|
|  | Jaquar Group Global Headquarters Plot No. 3, Sector- M-11, IMT Manesar Gurgaon, NCR - 122050, India E-mail : Sales: support@jaquar.com Customer Service : service@jaquar.com | | ITEM CODE | CMS-WHT-103751S220SPP + CMS-WHT-103201 |
| | ITEM TYPE | COUPLED WC S-TRAP 220 MM | | |
| | ITEM SIZE | 400x665x810 mm | | |
| | ALL DIMENSIONS ARE IN MM. (TOLERANCE ± 5 MM) | | | |